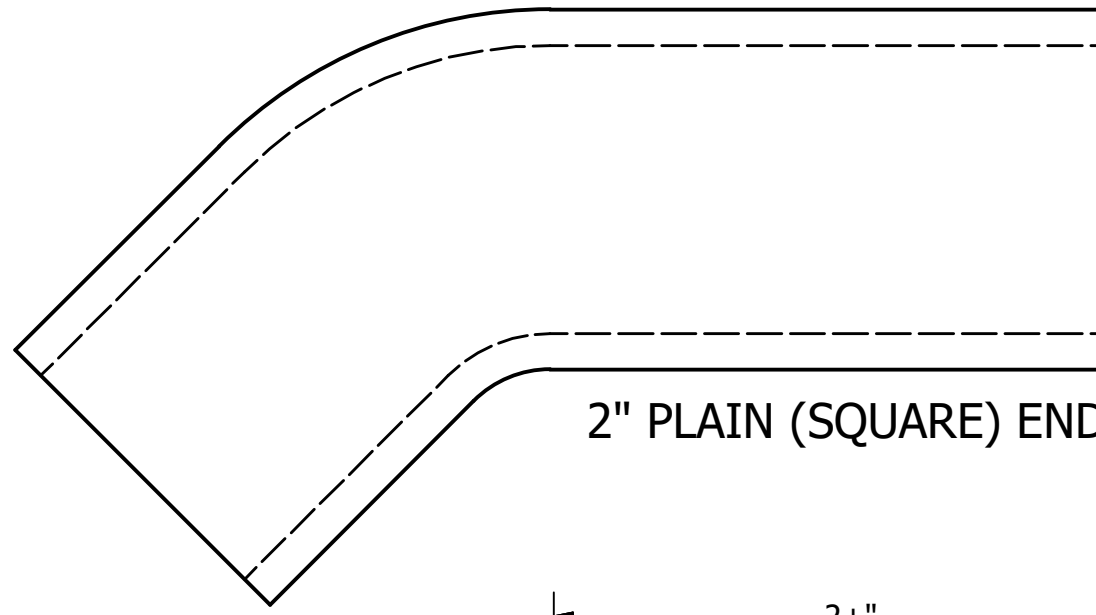
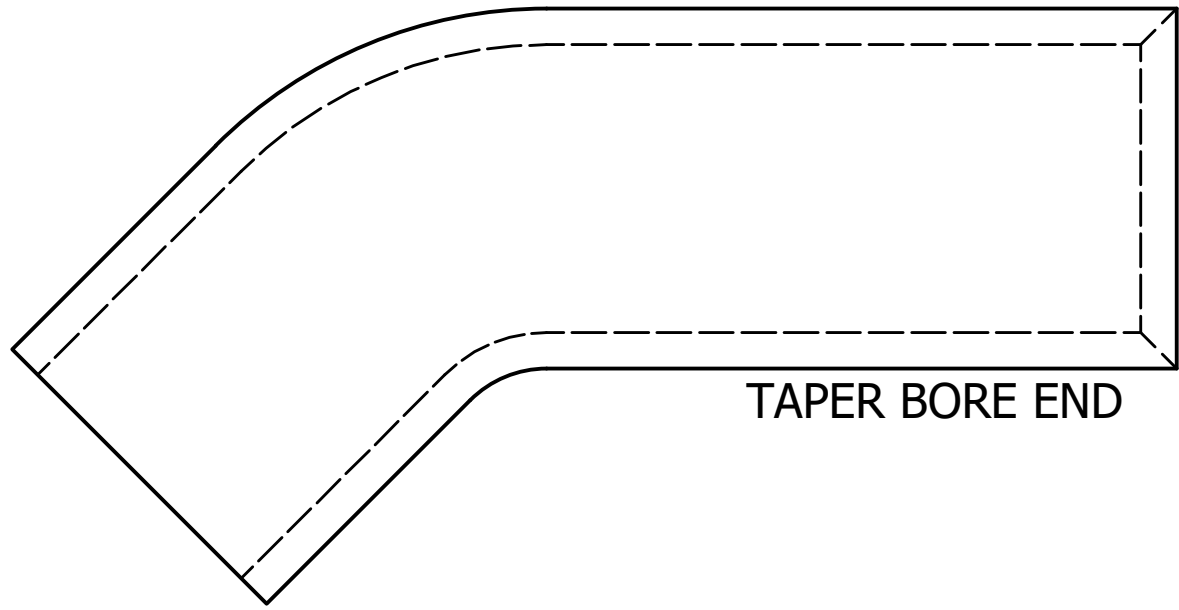


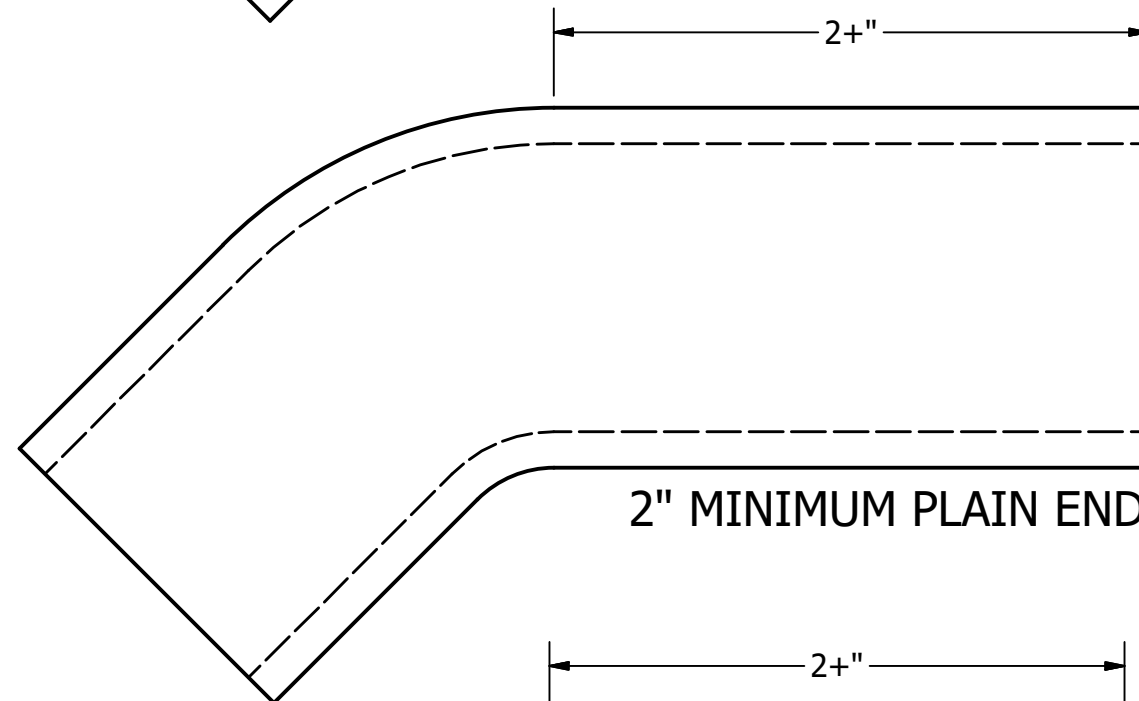
BEVEL END



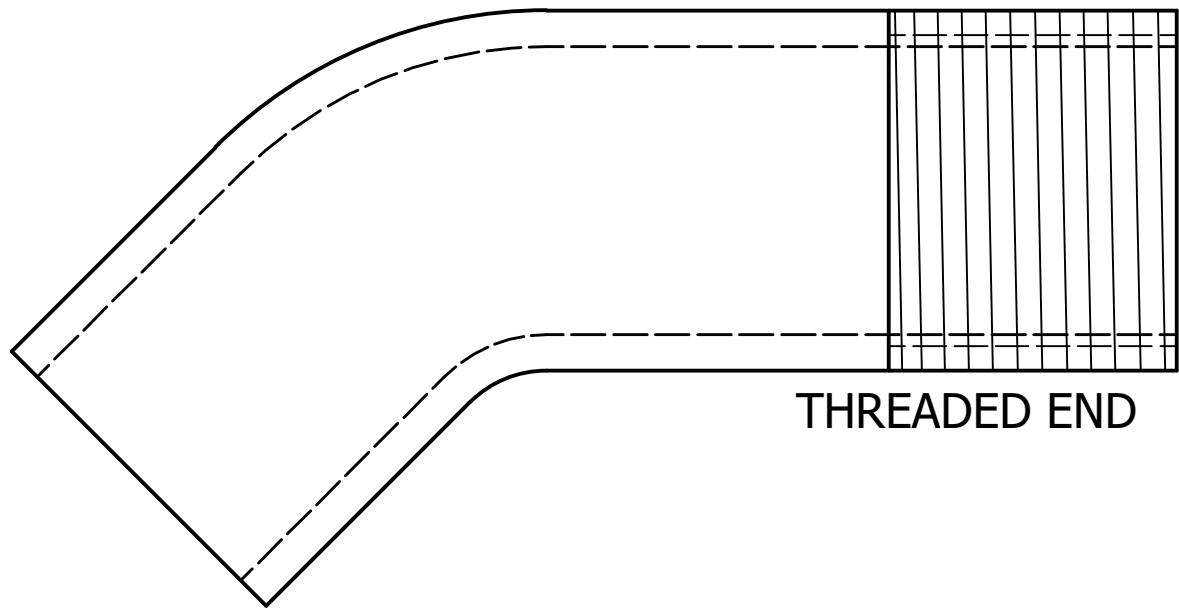
2" PLAIN (SQUARE) END



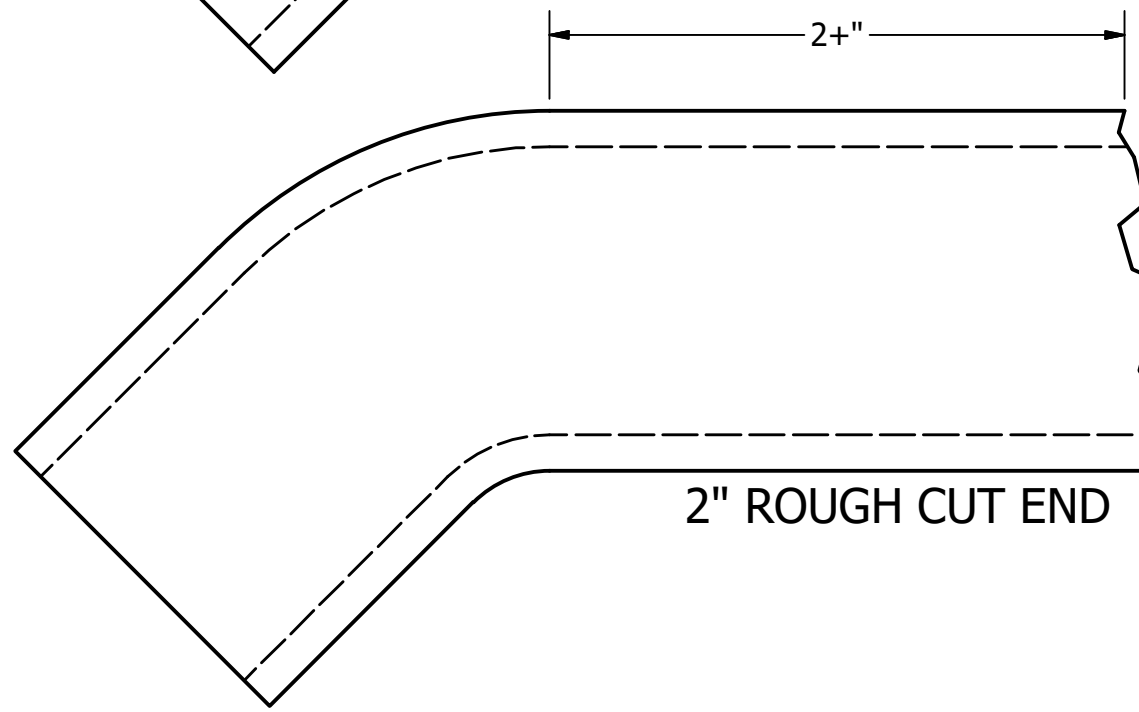
TAPER BORE END



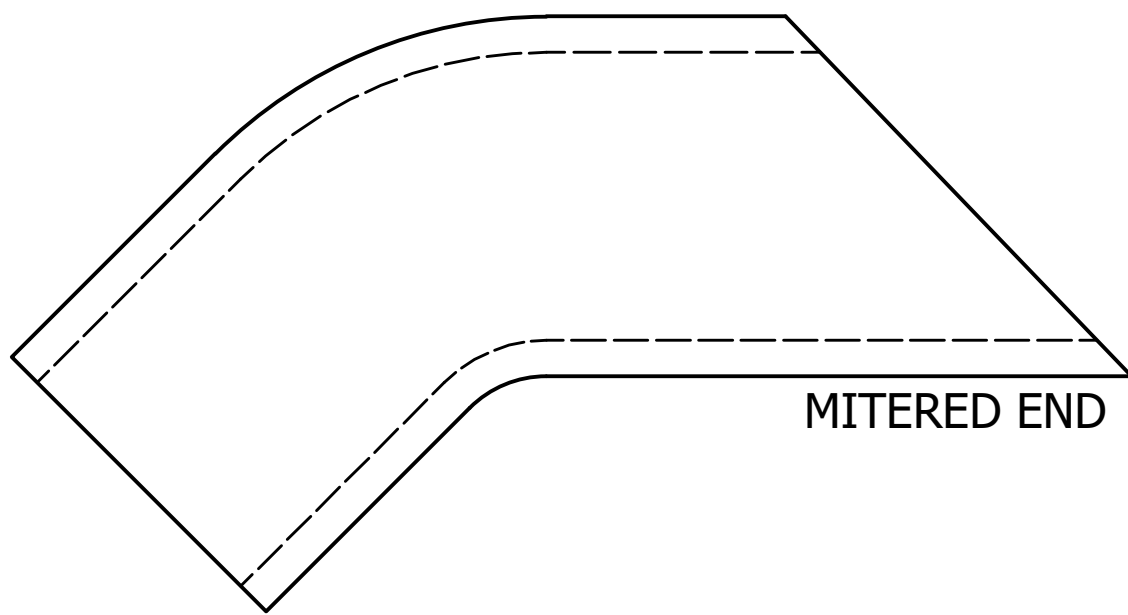
2" MINIMUM PLAIN END



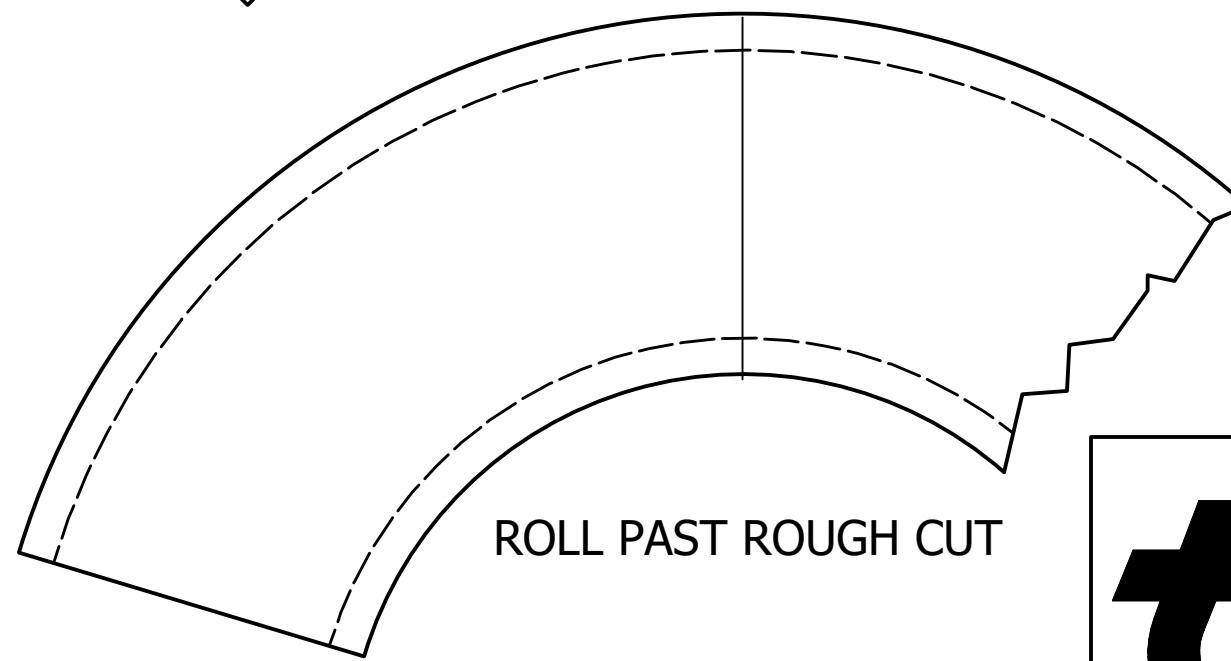
THREADED END



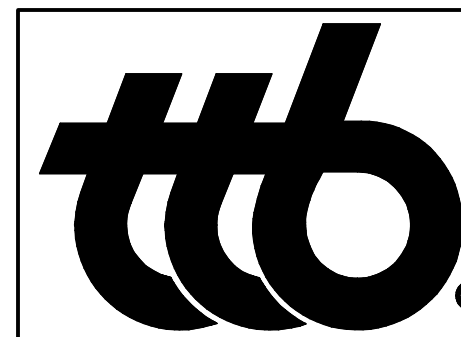
2" ROUGH CUT END



MITERED END



ROLL PAST ROUGH CUT



Tulsa Tube Bending
ESTABLISHED 1959 COMPANY

PART NUMBER: **COMMON END PREP**

DESCRIPTION:

COMMENTS:

PROJECT:	MATERIAL: Generic	REV:
----------	-------------------	------

SCALE:	DRAWN BY: jfranks	DATE: 7/25/2016	SHEET: 1 OF 1
--------	-------------------	-----------------	---------------

THIS DRAWING IS THE PROPERTY OF TULSA TUBE BENDING COMPANY. THE INFORMATION CONTAINED HEREIN IS CONFIDENTIAL, AND THE DISCLOSURE THEREOF WITHOUT THE PRIOR WRITTEN CONSENT OF TULSA TUBE BENDING COMPANY IS EXPRESSLY FORBIDDEN. THE INFORMATION CONTAINED MAY BE THE SUBJECT OF PENDING OR CONTEMPLATED PATENTS AND IS FURNISHED WITHOUT PREJUDICE TO THE PATENT RIGHTS OF TULSA TUBE BENDING COMPANY. THIS DRAWING IS TO BE USED ONLY FOR THE PURPOSE FOR WHICH IT WAS LOANED, RETURNED UPON REQUEST, AND IS NOT TO BE COPIED OR REPRODUCED IN ANY MANNER.